



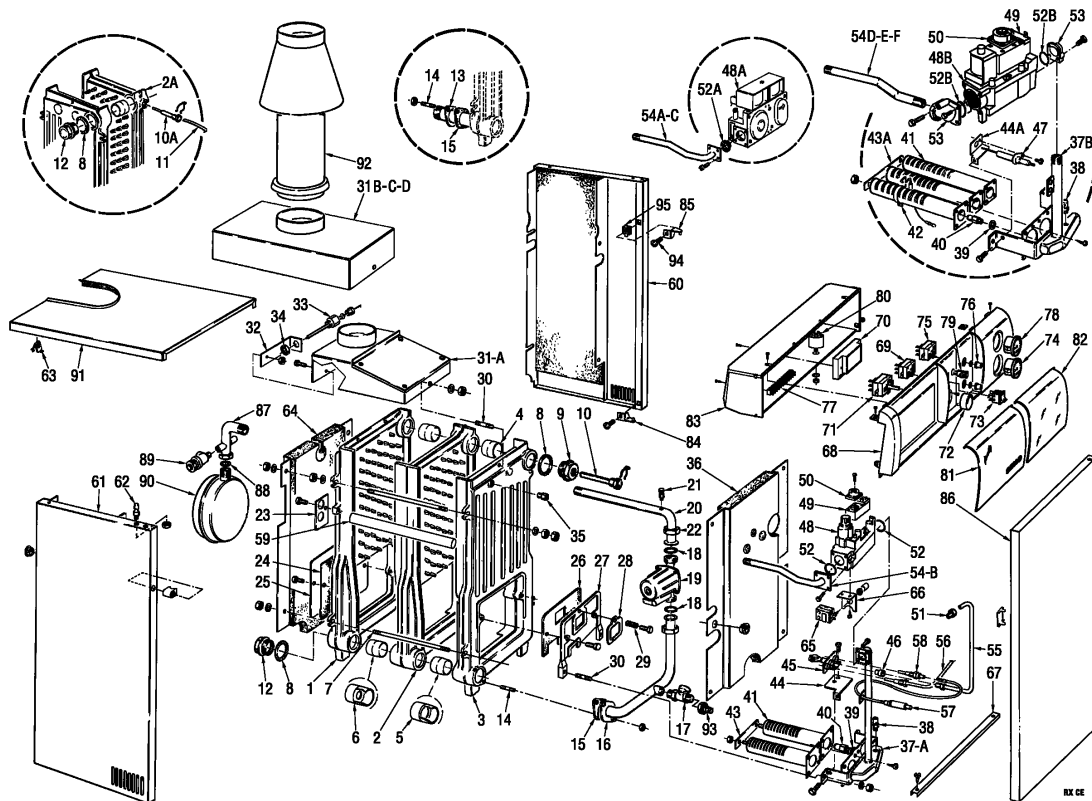
Fonderie Sime S.p.A. - Via Garbo, 27 - 37045 Legnago (VR) - www.sime.it
 Tribunale Verona 13531 - R.E.A. VR 171357 - C.C.P. 19423375 - N° Mecc. VR 014435
 Capitale Sociale Euro 5.521.200 int. versato - Codice Fiscale/Partita IVA n. IT 01275930236

Comfort Ambiente - Via Garbo, 27 - 37045 Legnago (VR)

Tel +39 0442 631111 - Fax Servizio Commerciale: Italia +39 0442 631291 - Estero +39 0442 631293

Fax Servizio Tecnico +39 0442 631292 - Fax Ufficio Acquisti +39 0442 631292 - Fax Amministrazione +39 0442 631336

8038413 CALD.GAS MET.RX 19 CE IONO



Posiz.	Codice	Descrizione
001	6263601	Rear section
002	6263701	Intermediate section
003	6263502	Front section
004	6193201	Push nipple 1-1/2"
005	6030302	Push nipple 1-1/2" with opening
007	6000522	Tie-rod M10X265
008	2030224	Gasket Ø 47,3x61x2
009	2041100	Reducer 1-1/2"x1/2"
010	5000000	Bulb holder 1/2" L=120
012	2041000	Plug 1-1/2"
014	6000607	Stud M10x33
015	6052700	Flange oval gasket
017	6179102	Drain cock 1/2"
023	6030500	Connections holder
024	6098801	Combust. chamber rear door insu
025	6019701	Combustion chamber door
026	6019801	Front door insulation
027	6019901	Front door
028	6037601	Window
029	2050000	Spring TDM
030	6000604	Stud M6x17 Zn
031	5065000	Built-in draught-diverter
032	6161801	Smoke stat bulb fixing plate
033	6070802	Bulb holder reducer
034	6146304	Brass nut M12x1
035	6228000	Non return valve 1/4"
036	6062404	Front panel
037	6183901	Burner manifold
037A	6183900	Burner manifold
038	6023100	Pressure test nipple Ø 1/8"
039	6022001	Aluminium washer Ø 10
040	6050260	Nozzle Ø 3,15 for natural gas
040E	6050204	Nozzle Ø 1,80 for L.P.G.

041	6192600	Burner bar type 352/11P L=282 m
042	6221612	Ignition electrode
044	6084600	Pilot burner fixing
044A	6221403	Ionisation electrode plate
045	6078000	Polidoro pilot burner type 470F
046	6066102	Pilot burner nozzle Ø 0,29 natu
046A	6066101	Pilot burner nozzle Ø 0,24 LPG
047	6221603	Ionisation probe
048	6089700	Honeywell gas valve V4600C 3/4"
048A	6243800	SIT 830 TANDEM gas valve 0.830.
049	6025701	Honeywell gas valve operator V4
050	6032400	Honeywell pressure governor V53
051	6168601	Nut for feeding pipe
052	6226402	OR gasket 21x6 XP70
052A	2030268	Piracriten gasket Ø 16X27,4X2,5
054	6239802	Gas inlet pipe for gas valve V4
054A	6184002	Gas inlet pipe for gas valve V4
056	6180011	Interrupted thermocouple
057	6073700	Piezo-igniter
058	6023000	Ignition electrode c/w lead L=3
059	6034202	Plastic pipe Ø 33x238
060	5058982	Casing right hand side panel
061	5059092	Casing left hand side panel
062	2003000	Pin M5 Zn
063	2015000	Spring clip
064	6085804	Rear panel
065	6173301	H.L. stat IMIT LS3 type 5.4176.
066	6063000	Limit stat securing bracket
067	6196102	Side panels lower bracket
068	6261000	Control panel
069	6173300	H.L. stat auto reset Ranco
070	6178830	Brahma FM11 control box
071	6003600	Boiler stat 45-85°C
072	6240102	Boiler stat handle Ø 35 mm
073	6013502	White switch with warning light
074	6146001	Thermometer 0-120°C
075	6001402	Smoke stat
076	6255300	H.L. stat plastic plug
077	2211000	Terminal strip
078	6146101	Hydrometer
079	6070410	Red pushing button
080	6266900	Anti-jamming filter
081	6261200	Plastic cover (white)
082	6261201	Control panel transparent flap
083	6261100	Control panel protection RX
084	6023300	Door lower right hinge
085	6023400	Door upper right hinge
086	5059411	Casing front upper door
091	6086192	Casing top cover
093	6179200	Holder complete with locking nu
094	2000700	Screw TCB M5x10 ZnCr
095	2016000	Cage nut M5 ZnCr
700	5157301	Gas boiler block
705	5071002	Complete casing without control
710	5072502	L.P.G. conversion kit
715	5095419	Complete control panel
717	5095420	Complete control panel
720	6223602	SIT gas valve coils (2 pieces)
721	6027604	Flying lead
722	6127201	Main cable L=2000
723	6269800	Ignition cable
724	6186560	Ionisation electrode cable L=80
725	6245306	Gas valve connector
727	6260933	Control box 4 pole fem. cable c
728	6260945	Control box 7 pole fem. cable c
729	6259501	Air/Smoke test pressure point
730	6233507	Fuse F3,15A 250V
731	6177213	Aluminium pipe L=830