



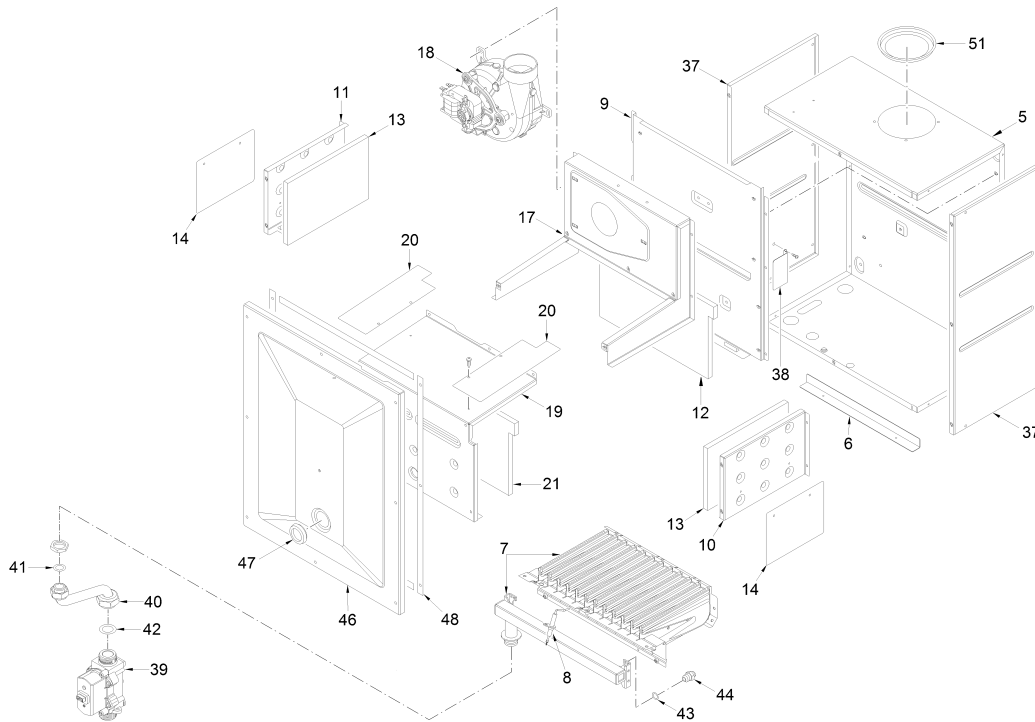
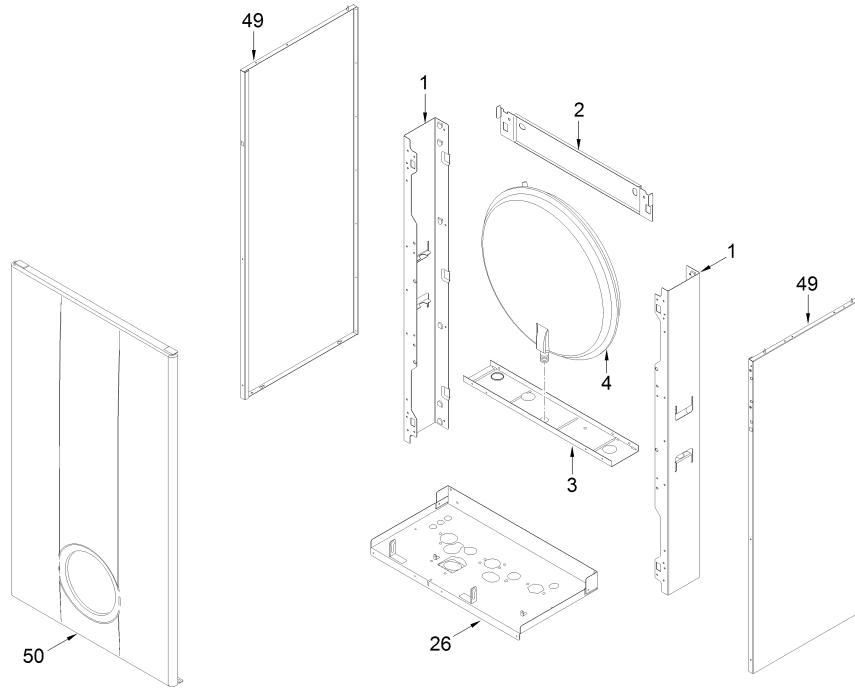
Fonderie Sime S.p.A. - Via Garbo, 27 - 37045 Legnago (VR) - www.sime.it
Tribunale Verona 13531 - R.E.A. VR 171357 - C.C.P. 19423375 - N° Mecc. VR 014435
Capitale Sociale Euro 5.521.200 int. versato - Codice Fiscale/Partita IVA n. IT 01275930236

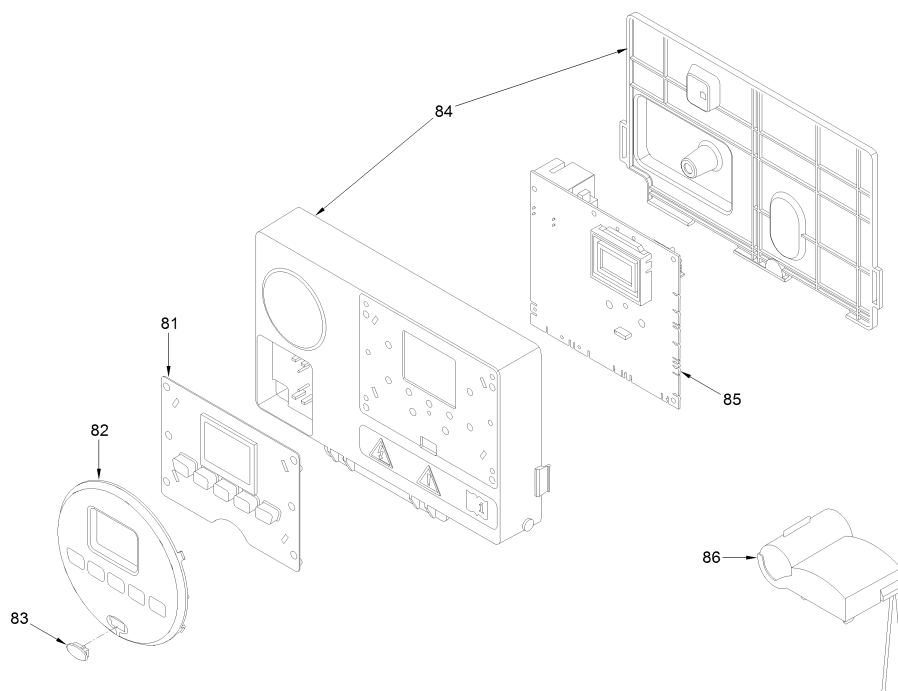
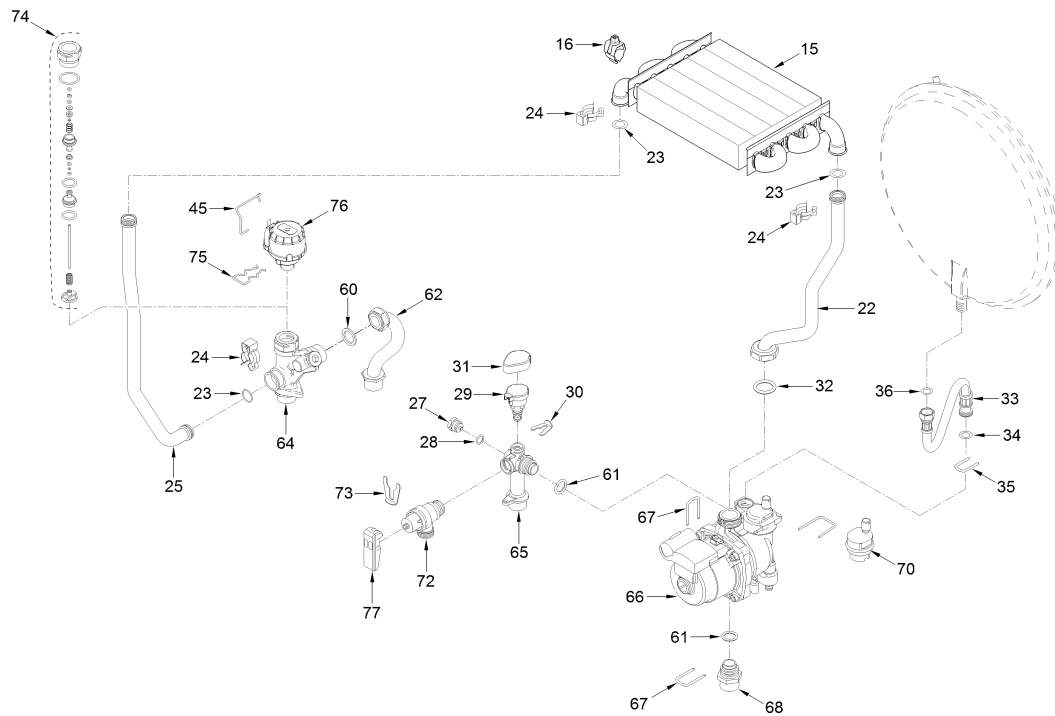
Comfort Ambiente - Via Garbo, 27 - 37045 Legnago (VR)

Tel +39 0442 631111 - Fax Servizio Commerciale: Italia +39 0442 631291 - Estero +39 0442 631293

Fax Servizio Tecnico +39 0442 631292 - Fax Ufficio Acquisti +39 0442 631292 - Fax Amministrazione +39 0442 631336

8112547 BRAVA SLIM 40 BFT





Position	Code	Description	Where used	Advised parts	Price list
001	6138570	Side frame part			8.28
002	6138771	Frame assembly upper support			4.72
003	6255431	Expansion vessel lower support			5.91
004	5139130	Expansion vessel I.9 - 3/8" M			44.93
005	6288117	Sealed chamber rear panel			45.9
006	6257537	Air deflector			4.92
007	5190770	Main burner assembly			105.99
008	6235936	Ignition-ionisation electrode			10.36
009	6288418	Combustion chamber rear panel			38.23
010	6288520	Combust. chamber right hand sid			14.76
011	6288620	Combust. chamber left hand side			14.76
012	6139773	Combustion chamber rear insulat			9.46
013	6318750	Combustion chamber side insulat			6.02
014	6257538	Lower air deflector			4.15
015	6174280	Gas/Water heat exchanger			174.81
016	6231362	NTC sensor		A	13.01

017	5190610	Smoke chamber assembly		28.37
018	6225644	Fan		69.09
019	6288710	Combustion chamber front panel		11.81
020	6257511	Air deflector		4.72
021	6139771	Combustion chamber front insula		9.46
022	6264869	C.H. return pipe		12.02
023	6226412	O-ring 3068	C	1.17
024	6226601	Spring for heat exchanger conne		2.36
025	6227472	Flowing pipe to C.H. system		5.45
026	6264570	Frame assembly lower side		60.09
027	6147401	Plug 1/4"		2.36
028	2030225	Gasket Ø 5,5x11x2		0.61
029	6273612	Water pressure transducer		48.47
030	6226639	Spring clip		1.14
031	6319650	Bitron transducer cap		1.17
032	2030267	Piracriten gasket Ø 30x17x2		0.72
033	6017405	Flexible pipe M.F. 3/8" L=300		6.46
034	6226476	ORing diam.15x2	C	0.66
035	6226643	Pipe fixing spring		0.56
036	2030226	Gasket Ø 10,2x14,8x2	C	0.61
037	6288200	Sealed chamber side panel		10.64
038	6215220	Cables protection bracket		4.72
039	6243838	Gas valve	A	66.99
040	6195217	Gas inlet pipe		11.46
041	2030255	Gasket Ø 12,5x18,5x3	C	0.61
042	2030249	Gasket Ø 24x17x3		0.61
043	6022004	Copper washer Ø 6		0.61
044	6154405	Main burner nozzle NP 1,40	MET	1.17
044A	6154424	Burner nozzle M6X0,75-D.0,81	GPL	1.98
045	6226638	Divertor valve motor spring cli		2.18
046	6288310	Sealed chamber front panel		17.74
047	6001210	Peephole		5.91
048	5192200	Gasket for sealed chamber		16.55
049	6304495	casing left/right side panel		65.56
050	6325011	Casing front panel		43.71
051	6028624	Air diaphragm Ø 87.5		5.91
060	2030228	Gasket Ø 17x24x2	C	0.61
061	6226475	ORing diam.18,64x3,53	C	0.29
062	6265022	D.H.W. storage tank flow pipe		14.2
064	6265890	Flowing to C.H. system manifold		48.07
065	6265880	C.H. return manifold		26.22
066	6272342	Circulating pump		128.16
067	6226644	Spring clip for rotating connec		0.56
068	6120560	Pump nipple 3/4"		9.84
070	6013182	Automatic air vent	C	15.36
072	6040225	Pressure relief valve 1/2" 3 ba	C	3.9
073	6226645	Spring clip		1.09
074	6319645	Three-way plates group	B	14.76
075	6226636	D.H.W. elektrovalve fix.spring		1.14
076	6087332	Motor for diverting valve	B	28.98
077	6275911	Pressure relief valve operation		0.2
081	6305131	Rubber button		6.56
082	6304831	Interface panel		18.04
083	6305140	Rubber cap		0.99
084	6304720	Control panel		25.5
085	6324900	Main P.C.B		138.99
086	6323883	4 pole connector CN13 pump+fan	B	18.04
700	6231331	D.H.W. tank sensor	A	15.36
704	5202307	Complete control panel		0.0
705	6323875	6 pole cable connector CN12		11.46
706	6323876	4 pole cable connector CN14		2.41
707	6323878	9 pole cable connector CN1		9.84
708	6323889	14 pole cable connect.CN15+CN5		14.76
711	6319644	Flowmeter group	B	13.37
712	6319645	Three-way plates group	B	14.76

A = Spare parts for minimum fittings
A+B = Spare parts for basic safety fittings
A+B+C = Spare parts for extended safety fittings