



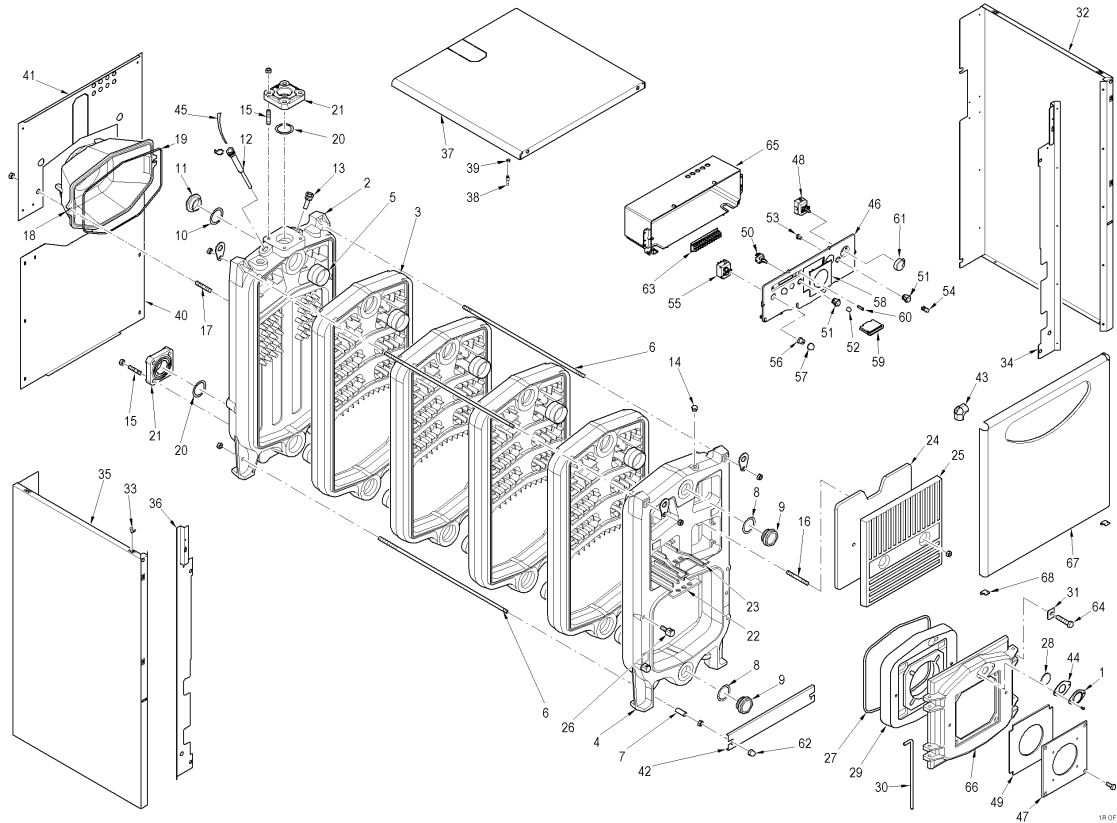
Fonderie Sime S.p.A. - Via Garbo, 27 - 37045 Legnago (VR) - www.sime.it
 Tribunale Verona 13531 - R.E.A. VR 171357 - C.C.P. 19423375 - N° Mecc. VR 014435
 Capitale Sociale Euro 5.521.200 int. versato - Codice Fiscale/Partita IVA n. IT 01275930236

Comfort Ambiente - Via Garbo, 27 - 37045 Legnago (VR)

Tel +39 0442 631111 - Fax Servizio Commerciale: Italia +39 0442 631291 - Estero +39 0442 631293

Fax Servizio Tecnico +39 0442 631292 - Fax Ufficio Acquisti +39 0442 631292 - Fax Amministrazione +39 0442 631336

8105003 CALD.GASOLIO SIME 1R 9 OF



Posiz.	Codice	Descrizione
001	6047400	Sight frame
002	6076101	Rear section
003	6076001	Intermediate section
004	6075911	Front section
005	6000402	Push nipple 2"
006C	6268410	Tie-rod M10x805
007P	6004700	Square flange 100x100x1-1/2"
008	2030231	Gasket Ø 42x55x2
009	2041001	Plug 1-1/4"
009P	6003403	Spacer Ø 14x36
010	2030224	Gasket Ø 47,3x61x2
011	2041000	Plug 1-1/2"
012	5004200	Bulb holder 1/2" L=190
013	5064600	Bulb holder 1/2" L=50
014	2041030	Plug 1/4" Zn
015	6000610	Stud M10x52
016	6000602	Stud M10x85
017	6000601	Stud M10x45
018	5084810	Complete smoke chamber
019	6291502	Gasket for smoke chamber
020	2030200	Piracriten gasket Ø 54x85x2
024	6004901	Cleaning door insulation
025	6005100	Cleaning door
026	6112410	Door hinge
027	1232405	Glass fiber Ø 12
028	6020100	Sight glass
029	6269001	Combustion chamber door insulat
030	6112304	Door hinge bolt
031	6239204	Rectangular fixing plate
032C	6302753	Casing right hand side panel
033	2015000	Spring clip
034	6303001	Casing right angle bar
035C	6302853	Casing left hand side panel

036	6303011	Casing left angle bar
037C	6302963	Casing top cover 1R9OF
038	2003000	Pin M5 Zn
039	2010102	Nut M5 ZnCr
040	6077014	Casing rear lower panel
041	6077120	Casing rear upper panel
042	6205811	Casing front lower panel
043	6282161	Front panel angular
044	6174802	Sight frame insulation
045	2051000	Contact spring
046	6298912	Control panel without equipment
047A	6079302	Burner mounting plate flange
048	6001501	Boiler stat
049	6101802	Burner mounting plate insulatio
050	6013550	White switch
051	6299701	Black switch frame
052	6299801	Push button black switch
053	6300100	Support cap
054	6300001	Switch cap
055	6001406	H.L. stat
056	6247351	Cap thermostat
057	6119335	Plug for button hole
058	6155473	Plastic cover
059	6001761	Thermometer 0-120°C
060	6044015	Green signal lamp
061	6230951	Knob
062	2010301	Cap nut M10
063	2211000	Terminal strip
064	2000032	Screw M12 x 55
065	6299000	Control panel protecting cover
066	6104415	Combustion chamber door
067	5195507	Front panel with angular
068	6189587	Casing door bracket
701	5194810	Complete control panel
702	6055807	Main cable L=3000
708	5061210	Complete casing without control
709	5062610	Complete cast iron boiler block
711	5187103	Combustion chamber door assembl
712	6050900	Set boiler assembling tools